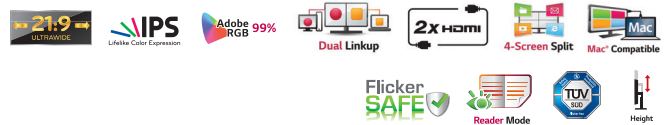


21:9 UltraWide Monitor

The Perfect Choice for
the Business World

▶ **29UB55-B**

29" class (29.0" measured diagonally)



Features

MAXIMIZE WORK EFFICIENCY

The 29UB55 delivers a 21:9 wide aspect ratio, 2560x1080 Full HD resolution, and a height adjustment feature that maximizes work productivity for the exacting professional.

READER MODE **NEW!**

- With a touch of a button, Reader Mode allows the reduction of blue light emissions that can be harmful to the eyes.

FLICKER-SAFE **NEW!**

- Eye fatigue is a major concern when working overtime on the computer. LG's Almost-Zero Flicker Free technology, allows the ability to work longer and more comfortably without straining the eyes.

Specifications

Native Display Resolution 2560 x 1080

High Brightness 250 cd/m²

Contrast Ratio 1,000:1, 5,000,000:1 (DCR)

5MS (G to G)

Built-in Speakers

Tilt, Height Adjustable, Swivel, Base Detachable Stand

Vesa™ Compliant Wall Mountable

3-Year Limited Warranty Parts/Labor/Backlight

ESSENTIAL WIDESCREEN VIEWING

The 21:9 ratio is the perfect professional fit for software engineers, sound & video editors, and graphic designers. The widescreen seamlessly connects two separate work areas for easy comparison and multi-tasking on one monitor. Long-range panoramic viewing is full length, without any bezel in the middle or dragging cursors.

*21:9 Full Screen or 2560 x1080 Resolution is dependant on content, device, interface or graphic card.



OPTIMAL PRODUCTIVITY WHEN USING MICROSOFT® OFFICE

The 29" class display with a 21:9 UltraWide Full HD (2560x1080) provides an efficient environment when using Microsoft® Office programs such as Word, Excel and OneNote. The 21:9 ratio shows 9 more columns compared to conventional 16:9 monitors in Excel, allowing you to see all the content in full view without scrolling to see hidden columns or rows.

*21:9 Full Screen or 2560 x1080 Resolution is dependant on content, device, interface or graphic card.



MAXIMIZED ERGONOMICS FOR YOUR CONVENIENCE

The 29UB55's Height Adjustment feature allows up/down monitor adjustments for a comfortable work environment.



PERFECT SCREEN FOR A SMALL GROUP COLLABORATION

Connect two devices to a single monitor with Dual Link-up that allows an HDMI + HDMI link. Collaborate with colleagues by simply connecting each other's devices to this single monitor to share and compare information. Freely show and control the screen while watching your partner doing the same on the opposite side of the monitor. No need to install annoying projectors in small rooms or worry if a conference room is occupied.



THE 4-SCREEN SPLIT DISPLAYS MULTIPLE PROJECTS ON A SINGLE SCREEN

With its wide screen ratio, 4 programs can be opened on a single screen for at-a-glance comparison. The 4-Screen Split software includes an auto-fitting function. With a simple drag or a double click, a new window will automatically fit into the marginal room of the screen. The 21:9 screen's large space is a perfect environment for efficient multi-tasking, and has the ability to open and run an editing program and its source clip folder without minimization.

The size of the sub-screens, which can be split into 2 to 4 areas, are user-controlled. The 29UB55 is compatible with Mac® and not only provides convenience but also productivity in a single click.

*4-Screen Split software requires DVI-D (Dual Link), DisplayPort or HDMI connection with Windows XP/Vista/7/8 or Mac OS® X 10.7 (Lion)/10.8 (Mountain Lion)/10.9 (Maverick).

Screen Split Function

- 2 Screen (16:5)
- 2 Screen (Balanced)
- 3 Screen (Left)
- 4 Screen (Balanced)
- 3 Screen (Balanced)
- 3 Screen (Bottom)
- 3 Screen (TOP)
- 3 Screen (Right)



Auto Fitting



CONVENIENT AND EASY ACTION

Comfort Your Eyes with Flicker Safe Certified by TUV and Reader Mode

Protect your eyes from exhausting flickers and blue light emissions. LG's new Flicker Safe technology reduces the flicker level to almost zero. Activate Reader Mode to minimize harmful blue light emissions with a simple touch of a hot-key while working, gaming, or watching movies without burdening your eyes.

Control with Ease by the Intuitive Joystick

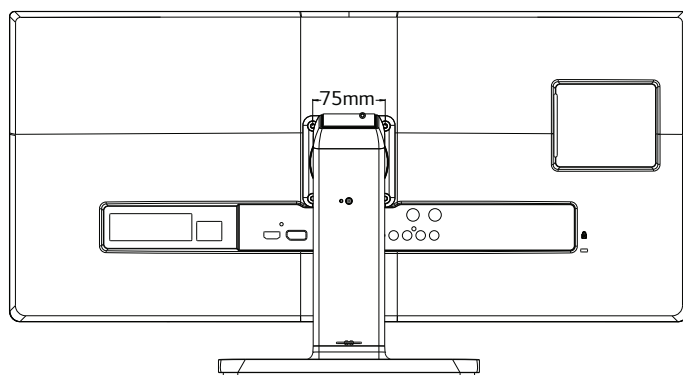
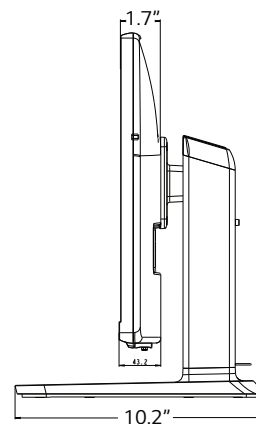
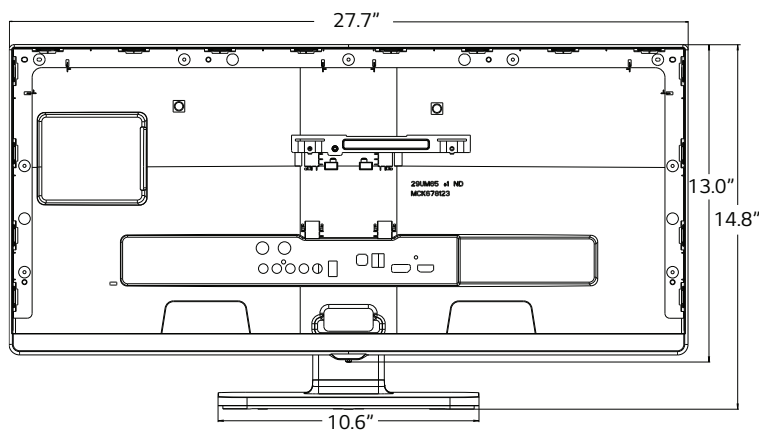
The joystick is a harmony of accurate menu controls and analogue sensitivity. With the fun control of a conventional joystick, its modern technology and design allows for simple control. The intuitive UI has no overlapping and an easy to understand menu selection.

EXPERT RECOGNIZED LG IPS

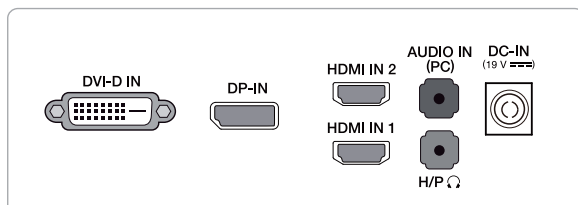
Winner of several prestigious awards, LG's IPS technology is the perfect solution for those who need the most lifelike color expression, bringing the original image alive on the screen.



DIMENSIONS



REAR JACK PANEL



21:9 UltraWide Monitor

The Perfect Choice for the Business World

▶ 29UB55-B

29" class (29.0" measured diagonally)

| PANEL | Model | 29UB55-B | SPECIAL FEATURES | Model | 29UB55-B | | |
|-------------------|--------------------------------|---------------------------------------|--------------------------------|---------------------------------------|---|-----------------------|--|
| PANEL | Panel Size | 29" class (29.0" measured diagonally) | SPECIAL FEATURES | 4:3 in Wide (ARC: Auto Ratio Control) | PC Video | Yes Yes | |
| | Panel Type | IPS | | sRGB | Yes | | |
| | Color Gamut (CIE1976) | sRGB 99% | | DDC/CI | Yes | | |
| | Color Depth (Number of Colors) | 6bit+FRC, 16.7M | | HDCP | Yes | | |
| | Pixel Pitch (mm) | 0.2628(H) mm x 0.2628(V) mm | | PBP | Yes | | |
| | Aspect Ratio | 21:9 | | Plug & Play | Yes | | |
| | Native Resolution | 2560 x 1080 | | Others1 | Screen Split (SW) | | |
| | Brightness | 250 cd/m ² | | Others | Auto Resolution (SW) | | |
| | Contrast Ratio (Typ.) | 1,000:1 | | CABINET | Color | Black | |
| | Dynamic CR (DCR) | 5,000,000:1 | | | Monitor w/stand | 27.7" x 10.2" x 14.8" | |
| | Response Time | 5ms (G to G) | | | Monitor Weight | 13.9 lbs | |
| | Viewing Angle | R/L 178° (Typ.), U/D 178° (Typ.) | | | Monitor w/o stand | 27.7" x 1.7" x 13.0" | |
| Surface Treatment | Hard Coating (3H), Anti-glare | Monitor Weight | 10.8 lbs | | | | |
| | | Carton Dimensions | 30.6" x 7.6" x 15.9" | | | | |
| SIGNAL (INPUT) | DVI-D | Yes | Packed Weight | 20.0 lbs | | | |
| | HDMI | Yes(x2) | Base Detachable | Yes | | | |
| | Display Port | Yes | Tilt (Angle) | -5° (front) -20° (rear) | | | |
| AUDIO (INPUT) | PC Audio In | Yes | Swivel (Angle) | Yes | | | |
| AUDIO (OUTPUT) | Headphone Out | Yes | Height (mm) | 130mm | | | |
| SPEAKER | Type | 2ch (L/R) | VESA™ Standard Mount Interface | 75mm x 75mm | | | |
| | Audio Output (Watt) | Speaker 5W x 2 | STANDARD CERTIFICATIONS | Safety | TCO (6.0)/UL(cUL)/CB/TUV-GS | | |
| POWER | Type | Adapter | | EMC | FCC-B/CE/VCCI | | |
| | Input | 100-240V | | ENERGY STAR® | ENERGY STAR® Qualified | | |
| | Normal On (Typ.) | 34W | | RoHS, Reach | Yes | | |
| | Power Save/Sleep Mode (Max) | 0.5 | | ISO13406-2 | Yes | | |
| DC Off (Max) | 0.5 | Windows | | Yes (Windows 8) | | | |
| FREQUENCY | Digital (H-Frequency) | 30-90kHz | OTHER | Warranty | 3-Year Limited Warranty (Parts/Labor/Backlight) | | |
| | Digital (V-Frequency) | 50-75Hz (HDMI(AV) 25-60 Hz) | | UPC | 7 19192 19610 0 | | |
| | | | ACCESSORIES | Power Cord | Yes | | |
| | | | | HDMI | Yes | | |
| | | | | Screw | Yes | | |
| | | | | Owners Manual | Yes | | |
| | | | | Adapter | Yes | | |
| | | | | Easy set up guide | Yes | | |



LG Electronics U.S.A., Inc.
HE B2B Division
2000 Millbrook Drive
Lincolnshire, IL 60069

Customer Service: 888.865.3026
www.LGolutions.com/support

Contact your LG Regional Sales Representative:
Channel: 800.897.8871
Hospitality: 800.228.1236
E-mail: info@LGolutions.com

SPEC_29UB55-B_012059_a

All screen images are simulated. Dimensions and weights are approximate. Design, specifications, and features subject to change without notice.

© Copyright 2016 LG Electronics USA, Inc. All Rights Reserved. "LG Life's Good" is a registered trademark of LG Corp.

ENERGY STAR is a registered trademark of the U.S. Environmental Protection Agency. In Plane Switching is a trademark of LG Philips LCD Ltd. VESA is a trademark of Video Electronics Standards Association. HDMI, the HDMI logo and High-Definition Multimedia Interface are trademarks or registered trademarks of HDMI Licensing LLC.

All other product and brand names are trademarks or registered trademarks of their respective companies.

Printed in the USA June 2016

